

cookworks

Stainless Steel Hand Blender Set

Model No. HB956SH6PB



Care & Instruction Manual

For household and indoor use only

Please read these instructions before use and retain for future reference



Electrical safety

- You should only plug the appliance into a 220V-240V AC, 50Hz supply. Connecting it to other power sources may damage the appliance and will invalidate the guarantee.
- Switch off and unplug when not in use and before assembling, disassembling, changing accessories or cleaning the appliance.
- This appliance shall not be used by children. Keep the appliance and its cord out of reach of children.
- This appliance can be used by persons with reduced physical, sensory or mental capabilities or lack of experience and knowledge if they have been given supervision or instruction concerning use of the appliance in a safe way and understand the hazards involved.
- Children shall not play with the appliance.
- Keep motor housing, cable, and plug dry and away from areas where it is likely to get splashed. Never immerse in water.
- Do not pull on the cable to disconnect from the mains supply.
- Do not operate the appliance if damaged or after it malfunctions. In the event the supply cord is damaged, in order to avoid a hazard it must only be replaced by a qualified service engineer, with a suitably approved part.
- This appliance must be positioned so that the plug is accessible and the plug socket is within easy reach of the power cord.

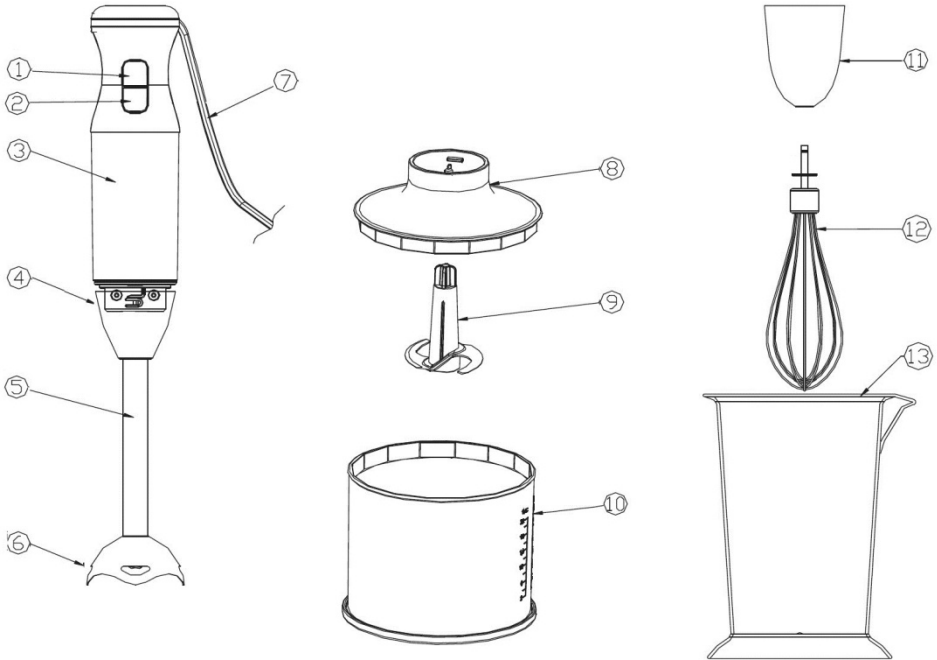
Warning!

- This appliance is intended exclusively for use in domestic households. It is not suitable for commercial use.
- Only use with the parts supplied and fully assembled.
- Never place hands or utensils into the blending container or near the blender head when in use. Only use a scraper when the blender is not in operation.
- Do not cover the hand blender and allow the motor housing to cool fully before storing.
- Do not leave unattended during use.
- Do not overfill the beaker or mini chopper.
- The hand blender and chopper blades are sharp, take care when emptying and cleaning.
- Do not attempt to operate the mini chopper without the protective lid in place.
- This appliance can cause personal injury if misused.

Food safety

- Keep raw meat and poultry separate from cooked foods.
- Always wash hands after handling raw meat and poultry, before handling any ready to eat foods.
- Wipe and disinfect surfaces that have been in contact with raw meat and poultry.
- Use separate utensils for handling raw meat/poultry and cooked food or wash them thoroughly between use.

Parts



1. On / Off button
2. Turbo button
3. Motor housing
4. Collar
5. Blender stem
6. Blender head
7. Power cable

8. Chopper lid
9. Chopper blade
10. Bowl
11. Whisk gearbox
12. Whisk
13. Beaker

IMPORTANT:

Your hand blender is equipped with a safety feature, where the blades / whisk will not operate unless the collar / lid and motor housing are fully locked.

Basic operation

1. Clean all parts thoroughly before first use.
2. Align the small arrow on the neck of the accessory with the 'unlocked' padlock symbol at the base of the motor housing and twist to align the arrow with the 'locked' padlock symbol.
3. Fully unwind the motor housing cable, plug in and switch on.
4. Follow the use instructions for the specific accessory (see the following sections).
5. Hold down the motor housing ON/OFF or TURBO button to start the blender working. See the following sections for maximum use times for each accessory.
6. To switch off, release the speed button and allow the blade / whisk to come to a complete stop before checking the consistency of the mix / chop. If satisfactory, remove the accessory from the mix.
7. To stop or interrupt the blending process, release the speed button or turn off at the mains.

USING THE HAND BLENDER

1. Carefully remove the plastic blade guard and fit the hand blender to the motor housing and lock into position (fig.2).
2. Place the ingredients to be blended into the beaker or another suitable wide container with high sides. Do not overfill the beaker (max 1100ml). The use of the beaker is not recommended to blend thin liquids.
3. Place the container on a stable surface.
4. Place the head of the hand blender below the surface of the ingredients. Do not immerse the stem beyond the max level shown in the diagram opposite.
5. Connect to the mains, select the operation speed of choice and when using the hand blender, mix for a **maximum** of 1 minute. If further blending is required, **wait 1 minute** before restarting the blender.
6. After a total of 3 of the above cycles, the blender should be rested for 20 minutes.
7. Blend to the desired consistency – see step 6 onwards under ‘basic operation’.

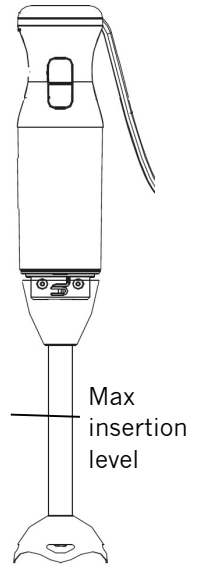


Fig. 2

Note

- Do not run the blender dry (without the head covered by liquid).
- To avoid splashing, ensure head of the blender is within the blending container and the head is covered before starting or removing.
- Do not add extra ingredients into the beaker / blending container when the blender is operating.
- If using to puree fruit and vegetables, remove the skins, peel or stones and cut into small pieces before blending.
- If blending ingredients in a saucepan (e.g. to purée soups), remove the saucepan from the heat to protect the blender from damage.

Using the whisk

1. Fit the whisk head into the gear box and then fit the assembly onto the motor housing and lock into position (fig.3).
2. Place the ingredients to be whisked into the beaker or a high sided bowl and place the bowl on a stable surface. Do not overfill the beaker (max 1100ml).
3. Place the head of the whisk partially below the surface of the ingredients. Do not immerse the head beyond the max level shown in the diagram opposite.
4. Connect to the mains, select the operation speed of choice and when using the whisk, mix for a **maximum** of 3 minutes. If further whisking is required, **wait 1 minute** before restarting.
5. After a total of 3 of the above cycles, the whisk should be rested for 20 minutes.
6. Whisk to the desired consistency – see step 6 onwards under ‘basic operation’.

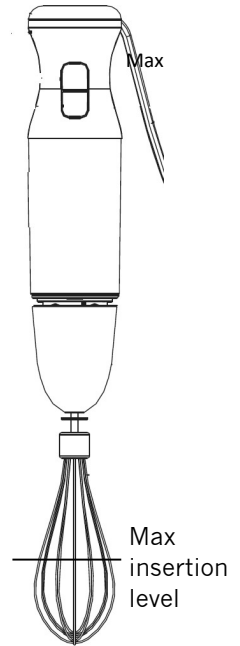


Fig. 3

Note

- To avoid splashing, ensure head of the whisk is within the whisking bowl before starting or removing.
- Do not add extra ingredients into the beaker / blending container when the whisk is operating.

Using the chopper

1. Carefully remove the plastic blade guard and place the blade onto the metal pin in the base of the chopping bowl (fig.4).
2. Place the food to be chopped or blended into the bowl on top of the blades, do not exceed the max level (600ml) marked on the bowl.
3. Fit the lid onto the motor housing and lock into position (fig.5).
4. Fit the lid onto the bowl (fig.6). Do not try to use the chopper without the lid in place.
5. Connect to the mains, select the operation speed of choice and when using the mini chopper, chop for a **maximum** of 1 minute. If further blending is required, **wait 1 minute** before restarting.
6. After a total of 3 of the above cycles, the chopper should be rested for 20 minutes.
7. Chop to the desired consistency – see step 6 onwards under ‘basic operation’.

Note:

- Do not run the chopper empty (without the blade covered by food).
- If using to chop fruit and vegetables, remove the skins, peel or stones and cut into small pieces before chopping. It may be necessary to add some water when chopping vegetables or fruit.
- If using to chop meat, cut the meat into small pieces before chopping and do not add more than 200g to the chopping bowl.

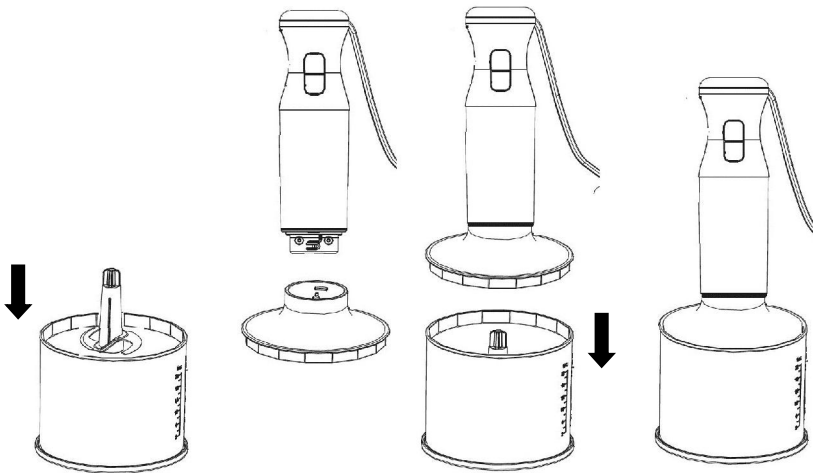


Fig. 4

Fig. 5

Fig. 6

Fig. 7

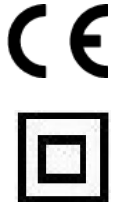
Cleaning

Clean the hand blender set after each use.

1. Switch off and unplug.
2. Remove the mixing accessories and wash these in hot water with a little washing up liquid. Rinse and wipe dry. Do not immerse the **gear box portion** (the part that connects to the motor housing) of the chopper lid, whisk and hand blender in water.
3. Wipe the outside of the motor housing and cable with a damp cloth and then wipe dry. Do not use detergent or abrasives as these may scratch the surface
4. Never immerse the motor housing, cable or plug in water.
5. **No part** of this appliance is suitable for dishwashers.

Technical specification

Rated voltage	220-240V AC 50/60Hz
Power consumption	600W
Class rating	2 (double insulated)
BS 1362 fuse	3A





PRODUCT GUARANTEE

This product is guaranteed against manufacturing defects for a period of



Year

This product is guaranteed for twelve months from the date of original purchase.

Any defect that arises due to faulty materials or workmanship will either be replaced, refunded or repaired free of charge where possible during this period by the dealer from whom you purchased the unit.

The guarantee is subject to the following provisions:

- The guarantee does not cover accidental damage, misuse, cabinet parts, knobs or consumable items.
- The product must be correctly installed and operated in accordance with the instructions contained in this manual. A replacement copy of this instruction manual can be obtained from www.argos-support.co.uk
- It must be used solely for domestic purpose.
- The guarantee will be rendered invalid if the product is re-sold or has been damaged by inexpert repair.
- Specifications are subject to change without notice.
- The manufacturer disclaims any liability for the incidental or consequential damages.
- The guarantee is in addition to, and does not diminish your statutory or legal rights.

Guarantor: Argos Ltd
489 - 499 Avebury Boulevard
Central Milton Keynes
MK9 2NW
www.argos-support.co.uk